

POLYLINE®



POLYLINE® Polycarbonate Enclosures

From Allied Moulded Products, Inc.

Experts in manufacturing nonmetallic enclosures for industrial applications



Table of Contents

AMP Series Features & Benefits

POLYLINE® Features & Benefits2

Summary of Product Options3

POLYLINE® Physical Properties3

Certificate of Conformance to Industry Standards4

General Enclosure Specification Guidelines4

Corrosion Resistance Guidelines4

AMP Series - POLYLINE® JIC Size Junction Boxes

Lift-Off Screw Cover - Solid/Opaque5

Lift-Off Screw Cover - Clear Polycarbonate7

Hinged Screw Cover - Solid/Opaque9

Hinged Screw Cover - Clear Polycarbonate11

Nonmetallic Snap Latch Hinged Cover - Solid/Opaque13

Nonmetallic Snap Latch Hinged Cover - Clear Polycarbonate15

Metal Snap Latch Hinged Cover - Solid/Opaque17

Metal Snap Latch Hinged Cover - Clear Polycarbonate19

POLYLINE® Optional Accessories

Optional Back Panels21

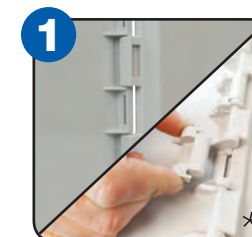
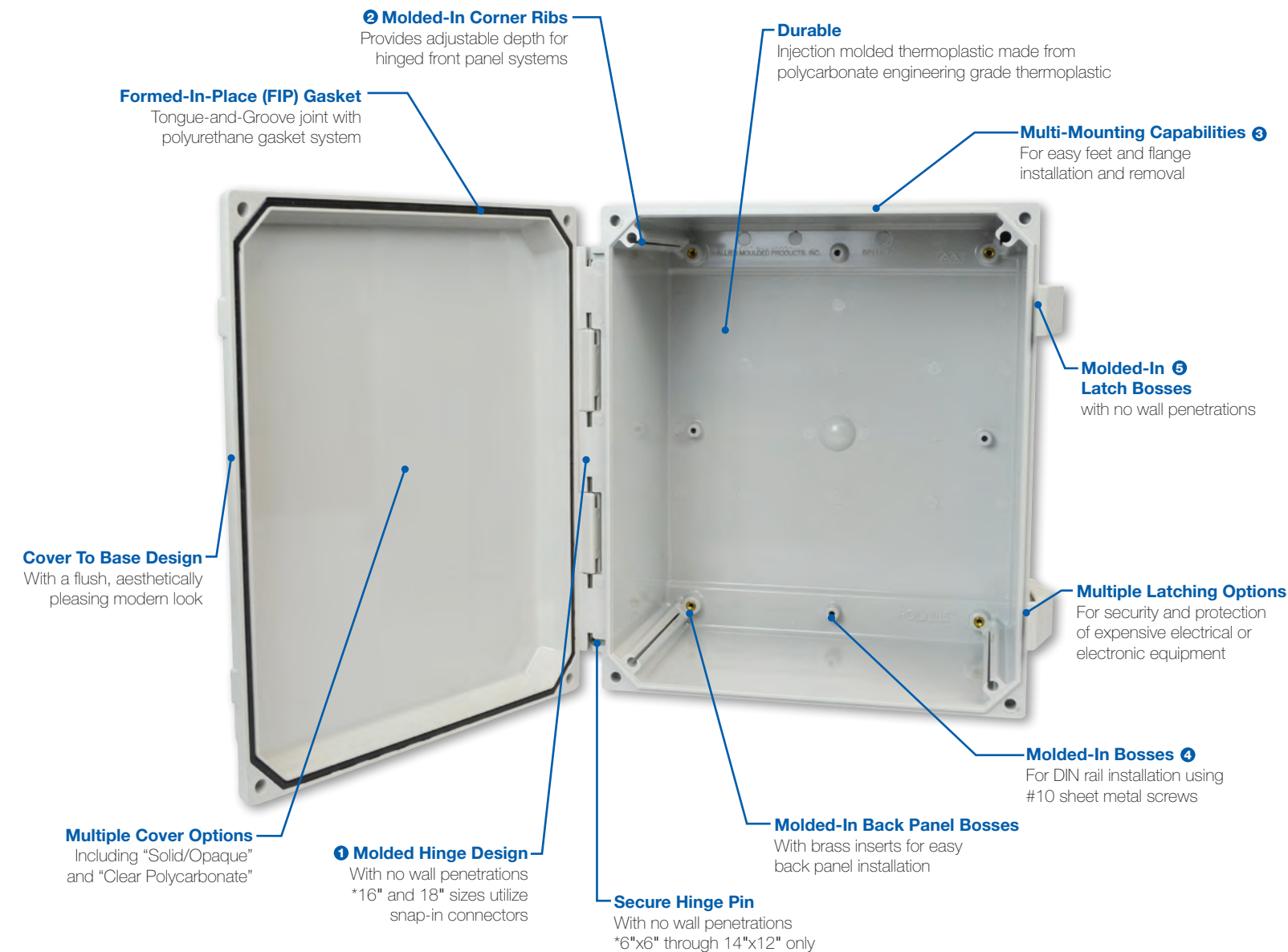
Optional Hinged Front Panels21

Hinged Front Panels Installed22

www.alliedmoulded.com

POLYLINE® AMP Series Features & Benefits

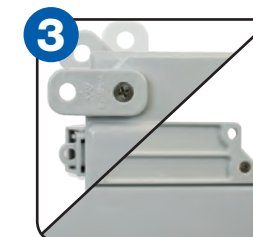
The AMP polycarbonate series was developed primarily for general purpose industrial applications as an alternative to steel enclosures. The design of this product group is similar to the ULTRALINE® series and includes a provision for adjustable HFP (hinged front panel) position. Additional POLYLINE® options include a clear cover, nonmetallic snap latches, and patented multi-mounting capabilities. Available sizes include 6" x 6" x 4" (152mm x 152mm x 102mm) up through 18" x 16" x 10" (457mm x 406mm x 254mm).



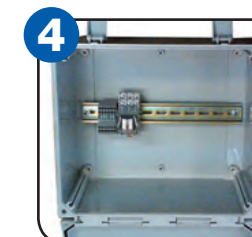
1 Molded Hinge Design
*New Hinge Design
For 16" & 18" only



2 Molded-In Corner Ribs



3 Multi-Mounting Capabilities



4 Molded-In Bosses



5 Latch Bosses



Summary of Product Options

Base Number Size	Size (inches)	Cover Options		Cover Attachment Options				Mount Options	
		Opaque Cover (none)	Clear Cover (CC)	Screw Cover (none)	Hinged Screw Cover (H)	Hinged Nonmetal Latch (NL)	Hinged Snap Latch (L)	Foot Mount (none)	Flange Mount (F)
AMP664	6x6x4	✓	✓	✓	✓	✓	✓	✓	✓
AMP864	8x6x4	✓	✓	✓	✓	✓	✓	✓	✓
AMP884	8x8x4	✓	✓	✓	✓	✓	✓	✓	✓
AMP1082	10x8x2	✓	✓	✓	✓	N/A	✓	✓	✓
AMP1084	10x8x4	✓	✓	✓	✓	✓	✓	✓	✓
AMP1086	10x8x6	✓	✓	✓	✓	✓	✓	✓	✓
AMP1204	12x10x4	✓	✓	✓	✓	✓	✓	✓	✓
AMP1206	12x10x6	✓	✓	✓	✓	✓	✓	✓	✓
AMP1426	14x12x6	✓	✓	✓	✓	✓	✓	✓	✓
AMP1648	16x14x8	✓	✓	✓	✓	✓	✓	✓	✓
AMP1860	18x16x10	✓	✓	✓	✓	✓	✓	✓	✓

POLYLINE® Physical Properties

Enclosure Material Typical Properties	ASTM Test Method	Polycarbonate
Impact Strength (ft - lb/in)	D 256	12
Flexural Strength (psi)	D 790	13,000
Tensile Strength (psi)	D 638	9,000
Compressive Strength (psi)	D 695	11,000
Water Absorption (%)	D 570	0.25
Specific Gravity	D 792	1.20
Shrinkage in/in	D 955	0.007
Hardness (Barcol-Rockwell M-Shore A)	D 2583	75
Elongation (%)	D 638	7.00
Dielectric Strength (kV/in)	D 149	732
Arc Resistance (sec)	D 495	117
Flammability	UL 94	V-0
Heat Deflection (°F at 264 psi)	D 648	266
Service Temperature (°F)		-31°F to 266°F
K Factor, Thermal Conductivity (BTU/hr/ft2/°F/in)	D1269E	1.25
Thermal Expansion (10 ⁻⁶ in/in/°F)	D 696	36
UV Rating	UL 746C	(f1)

Certificate of Conformance to Industry Standards

POLYLINE® industrial enclosures manufactured by Allied Moulded Products, Inc. and bearing the UL® and CSA labels have been tested and certified to the following standards:

- UL 50..... Enclosures For Electrical Equipment
- UL 50E..... Enclosures For Electrical Equipment, Environmental Considerations
- UL 508A..... Industrial Control Panels
- UL 746C Polymeric Materials – Use In electrical Equipment Evaluations
- CSA-C22 No. 14..... Industrial Control Equipment
- CAN/CSA-C22 No. 94..... Special Purpose Enclosures

AMP model sizes 14"x12"x6" and smaller, utilizing covers secured with four mounting screws are UL® and CSA listed Type 6P.

AMP series meet IEC60529 Type IP66. Models rated NEMA 6P meet IEC60529 Type IP68 submersible up to 24 hours at a depth of 6 feet (1.8meters).

Allied Moulded Products AMP Series POLYLINE® enclosures are certified:

- UL types 1, 2, 3, 3R, 4, 4X, 12 and 13
- CSA types 1, 2, 3, 3R, 4, 4X, 12 and 13
- NEMA types 1, 2, 3, 3R, 4, 4X, 12 and 13

General Enclosure Specifying Guidelines

	Box Size			Panel Boss Centers			
	304 SS	316 SS	Painted CS	Polycarbonate	Compression FRP	Gelcoat FRP	Custom PVC
Cost	4	5	1	2	3	4	4
Weight	5	5	5	2	3	3	2
Impact (flex)	N/A	N/A	N/A	4	3	3	2
Flex Strength (rigidity)	N/A	N/A	N/A	13,000 psi	23,000 psi	33,400 psi	10,500 psi
MFG Process Type	Fabricated sheet	Fabricated sheet	Fabricated sheet	Injection Mold	Compression Mold	Open Mold	Fabricated Sheet
Size Limitst	Custom NL	Custom NL	Custom NL	up to 18" Max	up to 36" max	36" up to 90"	Custom NL
Outdoor Corrosion (rating)	NEMA 4	NEMA 4X	NEMA 4	NEMA 4X	NEMA 4X	NEMA 4X	NEMA 4

Note: Those categories containing rating numbers are based on 1 as low and 5 as high.

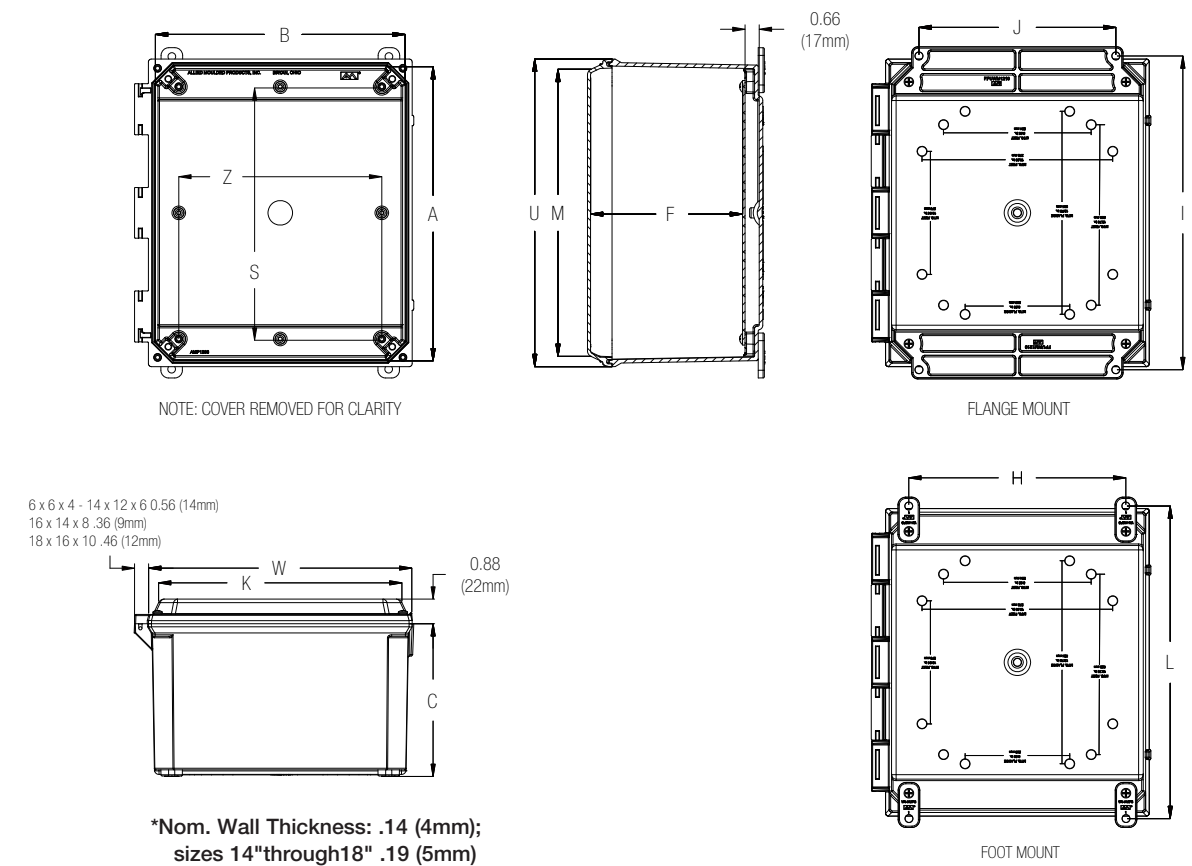
Corrosion Resistance Guidelines

	Solvents	Alkalis	Mild Acids
Examples	Cleaning Solvents Carbon Tetrachloride Isopropyl Alcohol Perchloroethylene Toluene Xylene	Ammonium Chloride Ammonium Nitrate Calcium Hydroxide Calcium Hypochlorite Magnesium Hydroxide Sodium Hypochlorite	Aluminum Chloride Boric Acid Calcium Chloride Potassium Nitrate Sea Water Sodium Nitrate Zinc Chloride
Recommended	304 SS 316 SS Compression Fiberglass Aluminum	304 SS 316 SS	Compression Fiberglass Gelcoat Fiberglass Polycarbonate 304 SS 316 SS
Satisfactory	Painted Carbon Steel Gelcoat Fiberglass	Polycarbonate Gelcoat Fiberglass Compression Fiberglass	Painted Carbon Steel
Limited Use	Polycarbonate	Painted Carbon Steel Aluminum	Aluminum

Note: This chart is only intended to be used as a general guideline for applying "typical" metal and nonmetal enclosures in chemical environments. Allied Moulded Products, Inc. recommends specific material compatibility tests for the most accurate application of enclosures. Please contact Allied Moulded customer service for specific requirements.

AMP Series - POLYLINE® JIC Size Junction Boxes:

Lift-Off Screw Cover – Solid/Opaque



PRODUCT INFORMATION

Application

- Designed to insulate and protect controls and components in both indoor and outdoor applications often found in industrial control panels, pump controls/waste water treatment, irrigation/water control, solar/wind, and chemical plants
- Light weight, impact resistant and good corrosion resistance for many industrial enclosure applications and a great alternative to metallic enclosures
- Protects from dirt, dust, and water

Standards

- UL 50 and UL 50E Types 1, 2, 3, 3R, 4, 4X, (6P for sizes 6" x 6" up through 14" x 12"), 12 and 13
- CSA C22.2 No. 94 Types 1, 2, 3, 3R, 4, 4X, (6P for sizes 6" x 6" up through 14" x 12"), 12 and 13
- Complies with:
 - NEMA Types 1, 2, 3, 3R, 4, 4X, (6P for sizes 6" x 6" up through 14" x 12") 12 and 13
 - IEC 60529 Type IP68 submersible up to 24 hours at a depth of 6 feet (1.8 meters)
- RoHS directive

Construction

- Injection molded polycarbonate thermoplastic – opaque cover, enclosure base, feet and flanges
- Enclosure base, feet, and flanges – Light gray color (RAL 7035)
Note: flanged models are pre-assembled, foot models mounting hardware supplied in a bag
- Stainless steel captive cover screws and foot/flange mounting hardware
- Cover seal – Formed-In-Place (FIP) polyurethane gasket system
- #10-32 threaded brass inserts are installed for optional back panel mounting

Accessories

- Optional back panels (white painted steel and aluminum) and hinged front panels (aluminum)
- Optional mounting hardware based on model number – foot or flange mount
- Additional molded-in mounting bosses available for directly mounting DIN rails

Part No.	Box Size			Usable Depth	Panel Boss Centers		Back Panel Size			Flange Mount Centers		Foot Mount Centers		Cover Size			
	A	B	C		F	S	Z	Ht.	Wid.	P/N	J	I	H	L	K	M	W
AMP664 AMP664F	6.03	6.26	4.08	4.06	4.25	4.25	4.81	4.81	PL66 PLA66 PLPVC66	4.00	6.88, 6.75	4.91	6.75	5.89	5.67	6.72	6.50
	153mm	159mm	104mm	103mm	108mm	108mm	122mm	122mm		102mm	175, 171mm	125mm	171mm	150mm	144mm	171mm	165mm
AMP864 AMP864F	7.94	6.16	4.08	4.06	6.25	4.25	6.75	4.88	PL86 PLA86 PLPVC86	4.00	8.88, 8.75	4.91	8.75	5.89	7.67	6.72	8.50
	202mm	156mm	104mm	103mm	159mm	108mm	171mm	124mm		102mm	226, 222mm	125mm	222mm	150mm	195mm	171mm	216mm
AMP884 AMP884F	7.94	8.16	4.08	4.06	6.25	6.25	6.75	6.88	PL88 PLA88 PLPVC88	6.00	8.75	6.91	8.75	7.89	7.67	8.72	8.50
	202mm	207mm	104mm	103mm	159mm	159mm	171mm	175mm		152mm	222mm	175mm	222mm	200mm	195mm	221mm	216mm
AMP1082 AMP1082F	9.93	8.15	2.70	2.68	8.25	6.25	8.75	6.88	PL108 PLA108 PLPVC108	6.00	10.75	6.91	10.75	7.89	9.67	8.72	10.50
	252mm	207mm	69mm	68mm	210mm	159mm	222mm	175mm		152mm	273mm	175mm	273mm	200mm	246mm	221mm	267mm
AMP1084 AMP1084F	9.93	8.15	4.08	4.06	8.25	6.25	8.75	6.88	PL108 PLA108 PLPVC108	6.00	10.75	6.91	10.75	7.89	9.67	8.72	10.50
	252mm	207mm	104mm	103mm	210mm	159mm	222mm	175mm		152mm	273mm	175mm	273mm	200mm	246mm	221mm	267mm
AMP1086 AMP1086F	9.90	8.12	5.94	6.06	8.25	6.25	8.75	6.88	PL108 PLA108 PLPVC108	6.00	10.75	6.91	10.75	7.89	9.67	8.72	10.50
	251mm	206mm	151mm	154mm	210mm	159mm	222mm	175mm		152mm	273mm	175mm	273mm	200mm	246mm	221mm	267mm
AMP1204 AMP1204F	11.93	10.15	4.08	4.16	10.25	8.25	10.75	8.88	PL120 PLA120 PLPVC120	8.00	12.75	8.82	12.70	9.89	11.67	10.72	12.50
	303mm	258mm	104mm	106mm	260mm	210mm	273mm	225mm		203mm	324mm	224mm	323mm	251mm	296mm	272mm	318mm
AMP1206 AMP1206F	11.93	10.15	6.08	6.06	10.25	8.25	10.75	8.88	PL120 PLA120 PLPVC120	8.00	12.75	8.82	12.70	9.89	11.67	10.72	12.50
	303mm	258mm	154mm	154mm	260mm	210mm	273mm	225mm		203mm	324mm	224mm	323mm	251mm	296mm	272mm	318mm
AMP1426 AMP1426F	13.85	12.07	6.13	5.99	12.25	10.25	12.75	10.88	PL142 PLA142 PLPVC142	10.01	14.75, 14.62	10.82	14.70	11.89	13.67	12.72	14.50
	352mm	307mm	156mm	152mm	311mm	260mm	324mm	276mm		254mm	375, 371mm	275mm	373mm	302mm	347mm	323mm	368mm
AMP1648 AMP1648F	15.98	13.98	8.00	8.27	14.25	12.25	14.75	12.88	P164 PA164 PLPVC164	12.00	17.75	11.47	17.91	13.68	15.63	15.04	17.23
	406mm	355mm	203mm	210mm	362mm	311mm	375mm	327mm		305mm	451mm	291mm	455mm	347mm	397mm	382mm	438mm
AMP1860 AMP1860F	18.04	16.04	10.00	10.27	16.22	14.25	16.88	14.88	P186 PA186 PLPVC186	12.00	19.63, 19.51	13.72	19.91	15.68	17.68	17.10	19.28
	458mm	407mm	254mm	261mm	412mm	362mm	429mm	378mm		305mm	499, 496mm	349mm	506mm	398mm	454mm	434mm	490mm

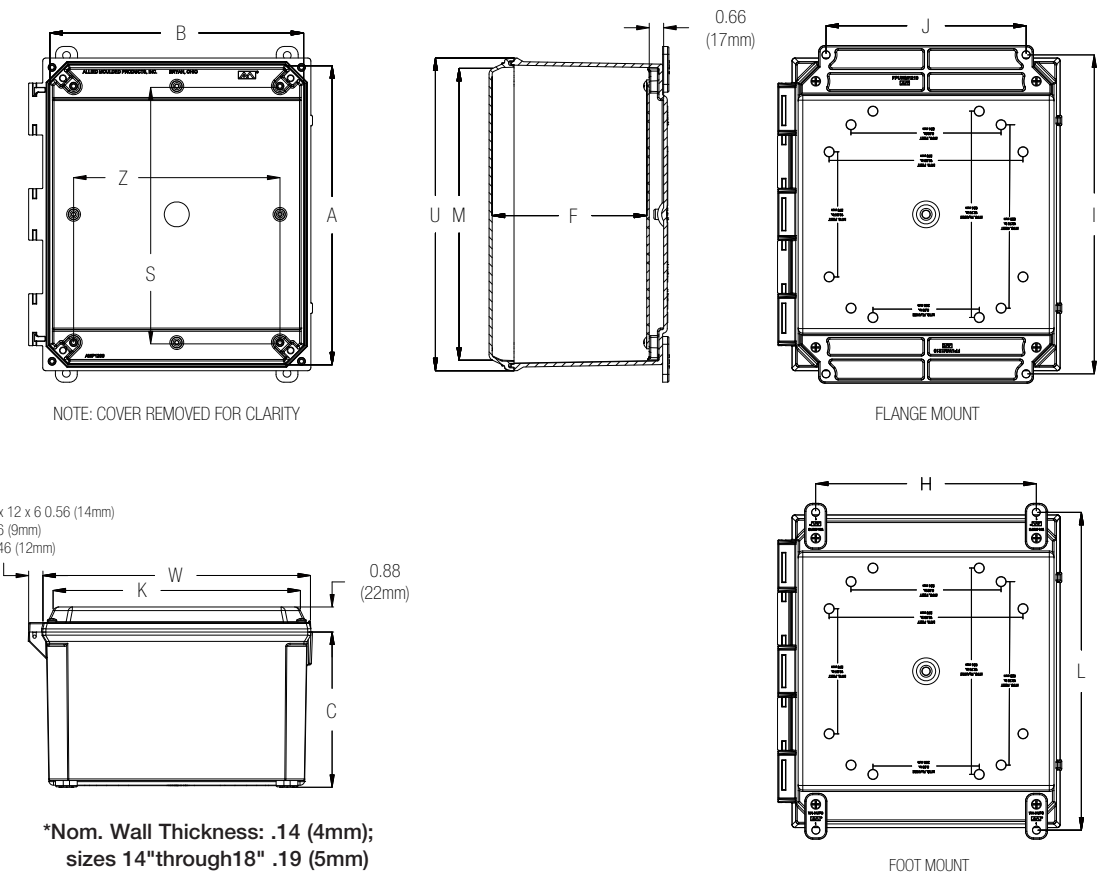
All dimensions are in inches unless otherwise noted
 "I" dimensions with multiple numbers indicate slotted holes
 All sizes 6" x 6" x 4" up through 14" x 12" x 6" are rated 6P (IP68)
 Enclosure base part numbers come standard with 4 separately bagged feet (ex. AMP664)
 Add "F" to the part number for factory installed flanges (ex. AMP664F)

Data subject to change without notice



AMP Series - POLYLINE® JIC Size Junction Boxes:

Screw Cover – Clear Polycarbonate



*Nom. Wall Thickness: .14 (4mm);
sizes 14"through18" .19 (5mm)

PRODUCT INFORMATION

Application

- Designed to insulate and protect controls and components in both indoor and outdoor applications often found in industrial control panels, pump controls/waste water treatment, irrigation/water control, solar/wind, and chemical plants
- Light weight, impact resistant and good corrosion resistance for many industrial enclosure applications and a great alternative to metallic enclosures
- Protects from dirt, dust, and water

Standards

- UL 50 and UL 50E Types 1, 2, 3, 3R, 4, 4X, (6P for sizes 6" x 6" up through 14" x 12"), 12 and 13
- CSA C22.2 No. 94 Types 1, 2, 3, 3R, 4, 4X, (6P for sizes 6" x 6" up through 14" x 12"), 12 and 13
- Complies with:
 - NEMA Types 1, 2, 3, 3R, 4, 4X, (6P for sizes 6" x 6" up through 14" x 12") 12 and 13
 - IEC 60529 Type IP68 submersible up to 24 hours at a depth of 6 feet (1.8 meters)
- RoHS directive

Construction

- Injection molded polycarbonate thermoplastic – clear cover, enclosure base, feet and flanges
- Enclosure base, feet, and flanges – Light gray color (RAL 7035)
Note: flanged models are pre-assembled, foot models mounting hardware supplied in a bag
- Stainless steel captive cover screws and foot/flange mounting hardware
- Cover seal – Formed-In-Place (FIP) polyurethane gasket system
- #10-32 threaded brass inserts are installed for optional back panel mounting

Accessories

- Optional back panels (white painted steel and aluminum) and hinged front panels (aluminum)
- Optional mounting hardware based on model number – foot or flange mount
- Additional molded-in mounting bosses available for directly mounting DIN rails

Part No.	Box Size			Usable Depth F	Panel Boss Centers		Back Panel Size			Flange Mount Centers		Foot Mount Centers		Cover Size			
	A	B	C		S	Z	Ht.	Wid.	P/N	J	I	H	L	K	M	W	U
AMP664CC AMP664CCF	6.03	6.26	4.08	4.06	4.25	4.25	4.81	4.81	PL66 PLA66 PLPVC66	4.00	6.88, 6.75	4.91	6.75	5.89	5.67	6.72	6.50
	153mm	159mm	104mm	103mm	108mm	108mm	122mm	122mm		102mm	175, 171mm	125mm	171mm	150mm	144mm	171mm	165mm
AMP864CC AMP864CCF	7.94	6.16	4.08	4.06	6.25	4.25	6.75	4.88	PL86 PLA86 PLPVC86	4.00	8.88, 8.75	4.91	8.75	5.89	7.67	6.72	8.50
	202mm	156mm	104mm	103mm	159mm	108mm	171mm	124mm		102mm	226, 222mm	125mm	222mm	150mm	195mm	171mm	216mm
AMP884CC AMP884CCF	7.94	8.16	4.08	4.06	6.25	6.25	6.75	6.88	PL88 PLA88 PLPVC88	6.00	8.75	6.91	8.75	7.89	7.67	8.72	8.50
	202mm	207mm	104mm	103mm	159mm	159mm	171mm	175mm		152mm	222mm	175mm	222mm	200mm	195mm	221mm	216mm
AMP1082CC AMP1082CCF	9.93	8.15	2.70	2.68	8.25	6.25	8.75	6.88	PL108 PLA108 PLPVC108	6.00	10.75	6.91	10.75	7.89	9.67	8.72	10.50
	252mm	207mm	69mm	68mm	210mm	159mm	222mm	175mm		152mm	273mm	175mm	273mm	200mm	246mm	221mm	267mm
AMP1084CC AMP1084CCF	9.93	8.15	4.08	4.06	8.25	6.25	8.75	6.88	PL108 PLA108 PLPVC108	6.00	10.75	6.91	10.75	7.89	9.67	8.72	10.50
	252mm	207mm	104mm	103mm	210mm	159mm	222mm	175mm		152mm	273mm	175mm	273mm	200mm	246mm	221mm	267mm
AMP1086CC AMP1086CCF	9.90	8.12	5.94	6.06	8.25	6.25	8.75	6.88	PL108 PLA108 PLPVC108	6.00	10.75	6.91	10.75	7.89	9.67	8.72	10.50
	251mm	206mm	151mm	154mm	210mm	159mm	222mm	175mm		152mm	273mm	175mm	273mm	200mm	246mm	221mm	267mm
AMP1204CC AMP1204CCF	11.93	10.15	4.08	4.16	10.25	8.25	10.75	8.88	PL120 PLA120 PLPVC120	8.00	12.75	8.82	12.70	9.89	11.67	10.72	12.50
	303mm	258mm	104mm	106mm	260mm	210mm	273mm	225mm		203mm	324mm	224mm	323mm	251mm	296mm	272mm	318mm
AMP1206CC AMP1206CCF	11.93	10.15	6.08	6.06	10.25	8.25	10.75	8.88	PL120 PLA120 PLPVC120	8.00	12.75	8.82	12.70	9.89	11.67	10.72	12.50
	303mm	258mm	154mm	154mm	260mm	210mm	273mm	225mm		203mm	324mm	224mm	323mm	251mm	296mm	272mm	318mm
AMP1426CC AMP1426CCF	13.85	12.07	6.13	5.99	12.25	10.25	12.75	10.88	PL142 PLA142 PLPVC142	10.01	14.75, 14.62	10.82	14.70	11.89	13.67	12.72	14.50
	352mm	307mm	156mm	152mm	311mm	260mm	324mm	276mm		254mm	375, 371mm	275mm	373mm	302mm	347mm	323mm	368mm
AMP1648CC AMP1648CCF	15.98	13.98	8.00	8.27	14.25	12.25	14.75	12.88	P164 PA164 PLPVC164	12.00	17.75	11.47	17.91	13.68	15.63	15.04	17.23
	406mm	355mm	203mm	210mm	362mm	311mm	375mm	327mm		305mm	451mm	291mm	455mm	347mm	397mm	382mm	438mm
AMP1860CC AMP1860CCF	18.04	16.04	10.00	10.27	16.22	14.25	16.88	14.88	P186 PA186 PLPVC186	12.00	19.63, 19.51	13.72	19.91	15.68	17.68	17.10	19.28
	458mm	407mm	254mm	261mm	412mm	362mm	429mm	378mm		305mm	499, 496mm	349mm	506mm	398mm	454mm	434mm	490mm

All dimensions are in inches unless otherwise noted

"I" dimensions with multiple numbers indicate slotted holes

All sizes 6" x 6" x 4" up through 14" x 12" x 6" are rated 6P (IP68)

Enclosure base part numbers come standard with 4 separately bagged feet (ex. AMP664CC)

Add "F" to the part number for factory installed flanges (ex. AMP664CCF)

Data subject to change without notice

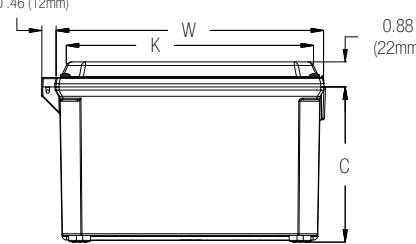


AMP Series - POLYLINE® JIC Size Junction Boxes:

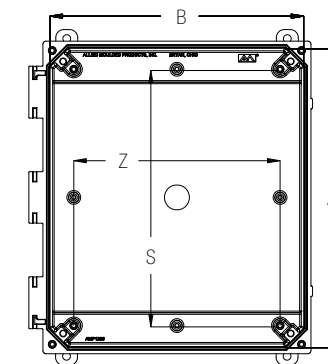
Hinged Screw Cover – Solid/Opaque



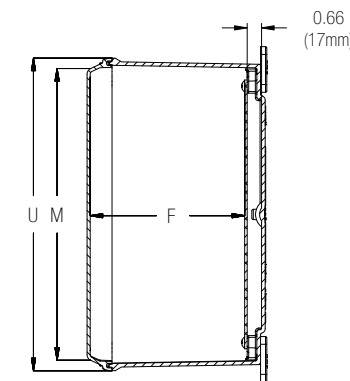
6 x 6 x 4 - 14 x 12 x 6 0.56 (14mm)
16 x 14 x 8 .36 (9mm)
18 x 16 x 10 .46 (12mm)



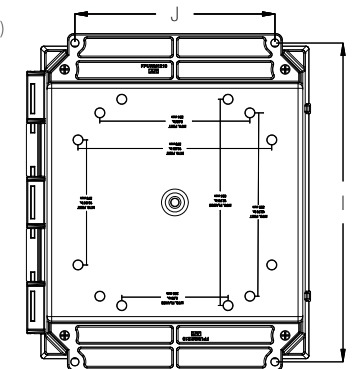
*Nom. Wall Thickness: .14 (4mm);
sizes 14"through18" .19 (5mm)



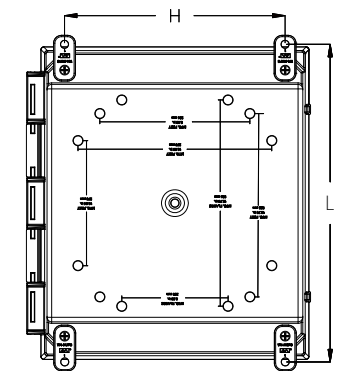
NOTE: COVER REMOVED FOR CLARITY



0.66
(17mm)



FLANGE MOUNT



FOOT MOUNT

PRODUCT INFORMATION

Application

- Designed to insulate and protect controls and components in both indoor and outdoor applications often found in industrial control panels, pump controls/waste water treatment, irrigation/water control, solar/wind, and chemical plants
- Light weight, impact resistant and good corrosion resistance for many industrial enclosure applications and a great alternative to metallic enclosures
- Protects from dirt, dust, and water

Standards

- UL 50 and UL 50E Types 1, 2, 3, 3R, 4, 4X, 12 and 13
- CSA C22.2 No. 94 Types 1, 2, 3, 3R, 4, 4X, 12 and 13
- Complies with:
 - NEMA Types 1, 2, 3, 3R, 4, 4X, 12 and 13
 - IEC 60529 Type IP66
- RoHS directive

Construction

- Injection molded polycarbonate thermoplastic – opaque cover, enclosure base, feet and flanges
- Opaque cover, base, feet, and flanges – Light gray color (RAL 7035)
Note: flanged models are pre-assembled, foot models mounting hardware supplied in a bag
- Stainless steel captive cover screws, hinge pin and foot/flange mounting hardware
- Cover seal – Formed-In-Place (FIP) polyurethane gasket system
- #10-32 threaded brass inserts are installed for optional back panel mounting

Accessories

- Optional back panels (white painted steel and aluminum) and hinged front panels (aluminum)
- Optional mounting hardware based on model number – foot or flange mount
- Additional molded-in mounting bosses available for directly mounting DIN rails

Part No.	Box Size			Usable Depth	Panel Boss Centers		Back Panel Size			Flange Mount Centers		Foot Mount Centers		Cover Size			
	A	B	C		F	S	Z	Ht.	Wid.	P/N	J	I	H	L	K	M	W
AMP664H	6.03	6.26	4.08	4.06	4.25	4.25	4.81	4.81	PL66	4.00	6.88, 6.75	4.91	6.75	5.89	5.67	6.72	6.50
AMP664HF	153mm	159mm	104mm	103mm	108mm	108mm	122mm	122mm	PLA66 PLPVC66	102mm	175, 171mm	125mm	171mm	150mm	144mm	171mm	165mm
AMP864H	7.94	6.16	4.08	4.06	6.25	4.25	6.75	4.88	PL86	4.00	8.88, 8.75	4.91	8.75	5.89	7.67	6.72	8.50
AMP864HF	202mm	156mm	104mm	103mm	159mm	108mm	171mm	124mm	PLA86 PLPVC86	102mm	226, 222mm	125mm	222mm	150mm	195mm	171mm	216mm
AMP884H	7.94	8.16	4.08	4.06	6.25	6.25	6.75	6.88	PL88	6.00	8.75	6.91	8.75	7.89	7.67	8.72	8.50
AMP884HF	202mm	207mm	104mm	103mm	159mm	159mm	171mm	175mm	PLA88 PLPVC88	152mm	222mm	175mm	222mm	200mm	195mm	221mm	216mm
AMP1082H	9.93	8.15	2.70	2.68	8.25	6.25	8.75	6.88	PL108	6.00	10.75	6.91	10.75	7.89	9.67	8.72	10.50
AMP1082HF	252mm	207mm	69mm	68mm	210mm	159mm	222mm	175mm	PLA108 PLPVC108	152mm	273mm	175mm	273mm	200mm	246mm	221mm	267mm
AMP1084H	9.93	8.15	4.08	4.06	8.25	6.25	8.75	6.88	PL108	6.00	10.75	6.91	10.75	7.89	9.67	8.72	10.50
AMP1084HF	252mm	207mm	104mm	103mm	210mm	159mm	222mm	175mm	PLA108 PLPVC108	152mm	273mm	175mm	273mm	200mm	246mm	221mm	267mm
AMP1086H	9.90	8.12	5.94	6.06	8.25	6.25	8.75	6.88	PL108	6.00	10.75	6.91	10.75	7.89	9.67	8.72	10.50
AMP1086HF	251mm	206mm	151mm	154mm	210mm	159mm	222mm	175mm	PLA108 PLPVC108	152mm	273mm	175mm	273mm	200mm	246mm	221mm	267mm
AMP1204H	11.93	10.15	4.08	4.16	10.25	8.25	10.75	8.88	PL120	8.00	12.75	8.82	12.70	9.89	11.67	10.72	12.50
AMP1204HF	303mm	258mm	104mm	106mm	260mm	210mm	273mm	225mm	PLA120 PLPVC120	203mm	324mm	224mm	323mm	251mm	296mm	272mm	318mm
AMP1206H	11.93	10.15	6.08	6.06	10.25	8.25	10.75	8.88	PL120	8.00	12.75	8.82	12.70	9.89	11.67	10.72	12.50
AMP1206HF	303mm	258mm	154mm	154mm	260mm	210mm	273mm	225mm	PLA120 PLPVC120	203mm	324mm	224mm	323mm	251mm	296mm	272mm	318mm
AMP1426H	13.85	12.07	6.13	5.99	12.25	10.25	12.75	10.88	PL142	10.01	14.75, 14.62	10.82	14.70	11.89	13.67	12.72	14.50
AMP1426HF	352mm	307mm	156mm	152mm	311mm	260mm	324mm	276mm	PLA142 PLPVC142	254mm	375, 371mm	275mm	373mm	302mm	347mm	323mm	368mm
AMP1648H	15.98	13.98	8.00	8.27	14.25	12.25	14.75	12.88	P164	12.00	17.75	11.47	17.91	13.68	15.63	15.04	17.23
AMP1648HF	406mm	355mm	203mm	210mm	362mm	311mm	375mm	327mm	PA164 PLPVC164	305mm	451mm	291mm	455mm	347mm	397mm	382mm	438mm
AMP1860H	18.04	16.04	10.00	10.27	16.22	14.25	16.88	14.88	P186	12.00	19.63, 19.51	13.72	19.91	15.68	17.68	17.10	19.28
AMP1860HF	458mm	407mm	254mm	261mm	412mm	362mm	429mm	378mm	PA186 PLPVC186	305mm	499, 496mm	349mm	506mm	398mm	454mm	434mm	490mm

All dimensions are in inches unless otherwise noted

"I" dimensions with multiple numbers indicate slotted holes

Enclosure base part numbers come standard with 4 separately bagged feet (ex. AMP664H)

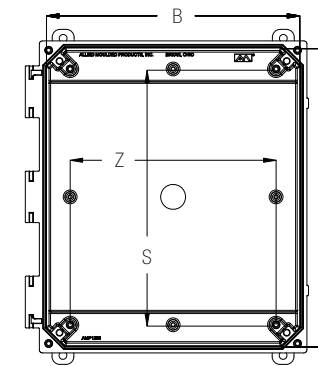
Add "F" to the part number for factory installed flanges (ex. AMP664HF)

Data subject to change without notice

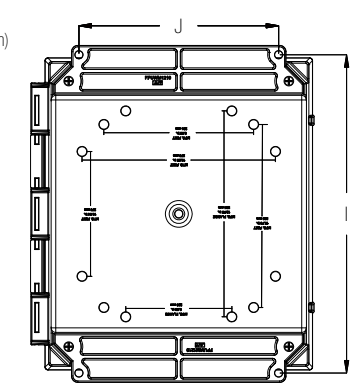
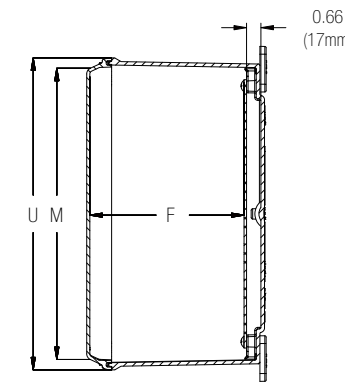


AMP Series - POLYLINE® JIC Size Junction Boxes:

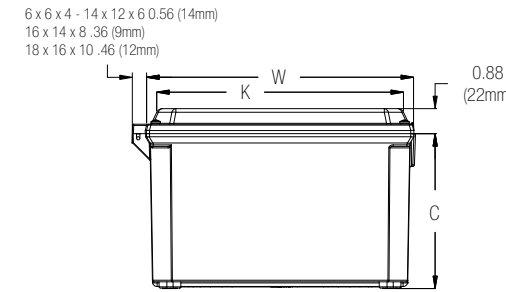
Hinged Screw Cover – Clear Polycarbonate



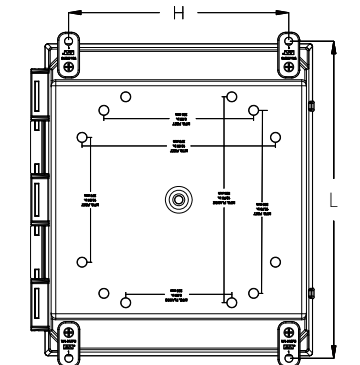
NOTE: COVER REMOVED FOR CLARITY



FLANGE MOUNT



*Nom. Wall Thickness: .14 (4mm);
sizes 14"through18" .19 (5mm)



FOOT MOUNT

PRODUCT INFORMATION

Application

- Designed to insulate and protect controls and components in both indoor and outdoor applications often found in industrial control panels, pump controls/waste water treatment, irrigation/water control, solar/wind, and chemical plants
- Light weight, impact resistant and good corrosion resistance for many industrial enclosure applications and a great alternative to metallic enclosures
- Protects from dirt, dust, and water

Standards

- UL 50 and UL 50E Types 1, 2, 3, 3R, 4, 4X, 12 and 13
- CSA C22.2 No. 94 Types 1, 2, 3, 3R, 4, 4X, 12 and 13
- Complies with:
 - NEMA Types 1, 2, 3, 3R, 4, 4X, 12 and 13
 - IEC 60529 Type IP66
- RoHS directive

Construction

- Injection molded polycarbonate thermoplastic – clear cover, enclosure base, feet and flanges
- Enclosure base, feet, and flanges – Light gray color (RAL 7035)
Note: flanged models are pre-assembled, foot models mounting hardware supplied in a bag
- Stainless steel captive cover screws, hinge pin and foot/flange mounting hardware
- Cover seal – Formed-In-Place (FIP) polyurethane gasket system
- #10-32 threaded brass inserts are installed for optional back panel mounting

Accessories

- Optional back panels (white painted steel and aluminum) and hinged front panels (aluminum)
- Optional mounting hardware based on model number – foot or flange mount
- Additional molded-in mounting bosses available for directly mounting DIN rails

Part No.	Box Size			Usable Depth	Panel Boss Centers			Back Panel Size			Flange Mount Centers		Foot Mount Centers		Cover Size			
	A	B	C		F	S	Z	Ht.	Wid.	P/N	J	I	H	L	K	M	W	U
AMP664CCH AMP664CCHF	6.03 153mm	6.26 159mm	4.08 104mm	4.06 103mm	4.25 108mm	4.25 108mm	4.81 122mm	4.81 122mm	PL66 PLA66 PLPVC66	4.00 102mm	6.88, 6.75 175, 171mm	4.91 125mm	6.75 171mm	5.89 150mm	5.67 144mm	6.72 171mm	6.50 165mm	
AMP864CCH AMP864CCHF	7.94 202mm	6.16 156mm	4.08 104mm	4.06 103mm	6.25 159mm	4.25 108mm	6.75 171mm	4.88 124mm	PL86 PLA86 PLPVC86	4.00 102mm	8.88, 8.75 226, 222mm	4.91 125mm	8.75 222mm	5.89 150mm	7.67 195mm	6.72 171mm	8.50 216mm	
AMP884CCH AMP884CCHF	7.94 202mm	8.16 207mm	4.08 104mm	4.06 103mm	6.25 159mm	6.25 159mm	6.75 171mm	6.88 175mm	PL88 PLA88 PLPVC88	6.00 152mm	8.75 222mm	6.91 175mm	8.75 222mm	7.89 200mm	7.67 195mm	8.72 221mm	8.50 216mm	
AMP1082CCH AMP1082CCHF	9.93 252mm	8.15 207mm	2.70 69mm	2.68 68mm	8.25 210mm	6.25 159mm	8.75 222mm	6.88 175mm	PL108 PLA108 PLPVC108	6.00 152mm	10.75 273mm	6.91 175mm	10.75 273mm	7.89 200mm	9.67 246mm	8.72 221mm	10.50 267mm	
AMP1084CCH AMP1084CCHF	9.93 252mm	8.15 207mm	4.08 104mm	4.06 103mm	8.25 210mm	6.25 159mm	8.75 222mm	6.88 175mm	PL108 PLA108 PLPVC108	6.00 152mm	10.75 273mm	6.91 175mm	10.75 273mm	7.89 200mm	9.67 246mm	8.72 221mm	10.50 267mm	
AMP1086CCH AMP1086CCHF	9.90 251mm	8.12 206mm	5.94 151mm	6.06 154mm	8.25 210mm	6.25 159mm	8.75 222mm	6.88 175mm	PL108 PLA108 PLPVC108	6.00 152mm	10.75 273mm	6.91 175mm	10.75 273mm	7.89 200mm	9.67 246mm	8.72 221mm	10.50 267mm	
AMP1204CCH AMP1204CCHF	11.93 303mm	10.15 258mm	4.08 104mm	4.16 106mm	10.25 260mm	8.25 210mm	10.75 273mm	8.88 225mm	PL120 PLA120 PLPVC120	8.00 203mm	12.75 324mm	8.82 224mm	12.70 323mm	9.89 251mm	11.67 296mm	10.72 272mm	12.50 318mm	
AMP1206CCH AMP1206CCHF	11.93 303mm	10.15 258mm	6.08 154mm	6.06 154mm	10.25 260mm	8.25 210mm	10.75 273mm	8.88 225mm	PL120 PLA120 PLPVC120	8.00 203mm	12.75 324mm	8.82 224mm	12.70 323mm	9.89 251mm	11.67 296mm	10.72 272mm	12.50 318mm	
AMP1426CCH AMP1426CCHF	13.85 352mm	12.07 307mm	6.13 156mm	5.99 152mm	12.25 311mm	10.25 260mm	12.75 324mm	10.88 276mm	PL142 PLA142 PLPVC142	10.01 254mm	14.75, 14.62 375, 371mm	10.82 275mm	14.70 373mm	11.89 302mm	13.67 347mm	12.72 323mm	14.50 368mm	
AMP1648CCH AMP1648CCHF	15.98 406mm	13.98 355mm	8.00 203mm	8.27 210mm	14.25 362mm	12.25 311mm	14.75 375mm	12.88 327mm	P164 PA164 PLPVC164	12.00 305mm	17.75 451mm	11.47 291mm	17.91 455mm	13.68 347mm	15.63 397mm	15.04 382mm	17.23 438mm	
AMP1860CCH AMP1860CCHF	18.04 458mm	16.04 407mm	10.00 254mm	10.27 261mm	16.22 412mm	14.25 362mm	16.88 429mm	14.88 378mm	P186 PA186 PLPVC186	12.00 305mm	19.63, 19.51 499, 496mm	13.72 349mm	19.91 506mm	15.68 398mm	17.68 454mm	17.10 434mm	19.28 490mm	

All dimensions are in inches unless otherwise noted

"I" dimensions with multiple numbers indicate slotted holes

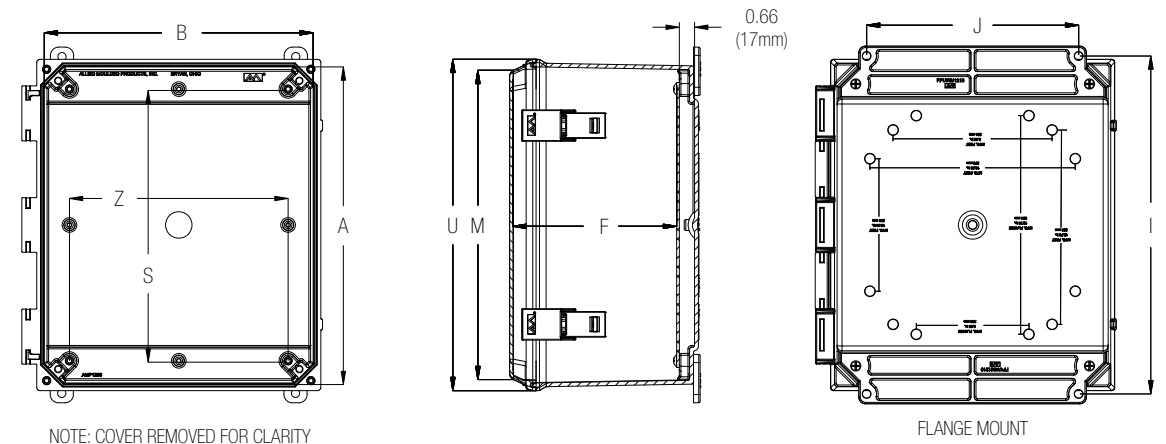
Enclosure base part numbers come standard with 4 separately bagged feet (ex. AMP664CCH)
Add "F" to the part number for factory installed flanges (ex. AMP664CCHF)

Data subject to change without notice

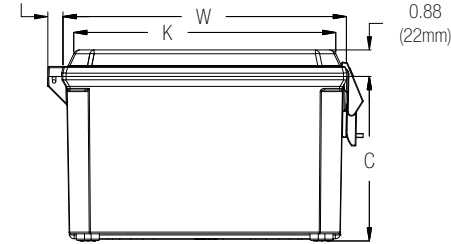


AMP Series - POLYLINE® JIC Size Junction Boxes:

Nonmetal Snap Latch Hinged Cover
– Solid/Opaque

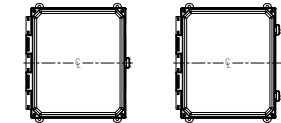


6 x 6 x 4 - 14 x 12 x 6 0.56 (14mm)
16 x 14 x 8 .36 (9mm)
18 x 16 x 10 .46 (12mm)



LATCH LOCATIONS

FOR USE ON	FOR USE ON
6 x 6 x 4	12 x 10 x 4(6) D=7.50 (191mm)
8 x 6 x 4	14 x 12 x 6 D=8.00 (203mm)
8 x 8 x 4	16 x 14 x 8 D=10.5 (267mm)
10 x 8 x 4(6)	18 x 16 x 10 D=12.5 (318mm)



*Nom. Wall Thickness: .14 (4mm);
sizes 14"through18" .19 (5mm)

PRODUCT INFORMATION

Application

- Designed to insulate and protect controls and components in both indoor and outdoor applications often found in industrial control panels, pump controls/waste water treatment, irrigation/water control, solar/wind, and chemical plants
- Light weight, impact resistant and good corrosion resistance for many industrial enclosure applications and a great alternative to metallic enclosures
- Protects from dirt, dust, and water

Standards

- UL 50 and UL 50E Types 1, 2, 3, 3R, 4, 4X, 12 and 13
- CSA C22.2 No. 94 Types 1, 2, 3, 3R, 4, 4X, 12 and 13
- Complies with:
 - NEMA Types 1, 2, 3, 3R, 4, 4X, 12 and 13
 - IEC 60529 Type IP66
- RoHS directive

Construction

- Injection molded polycarbonate thermoplastic – opaque cover, enclosure base, snap latches, feet and flanges
- Opaque cover, base, padlockable snap latches, feet, and flanges – Light gray color (RAL 7035) Note: flanged models are pre-assembled, foot models mounting hardware supplied in a bag
- Stainless steel, hinge pin and foot/flange mounting hardware
- Cover seal – Formed-In-Place (FIP) polyurethane gasket system
- #10-32 threaded brass inserts are installed for optional back panel mounting

Accessories

- Optional back panels (white painted steel and aluminum) and hinged front panels (aluminum)
- Optional mounting hardware based on model number – foot or flange mount
- Additional molded-in mounting bosses available for directly mounting DIN rails

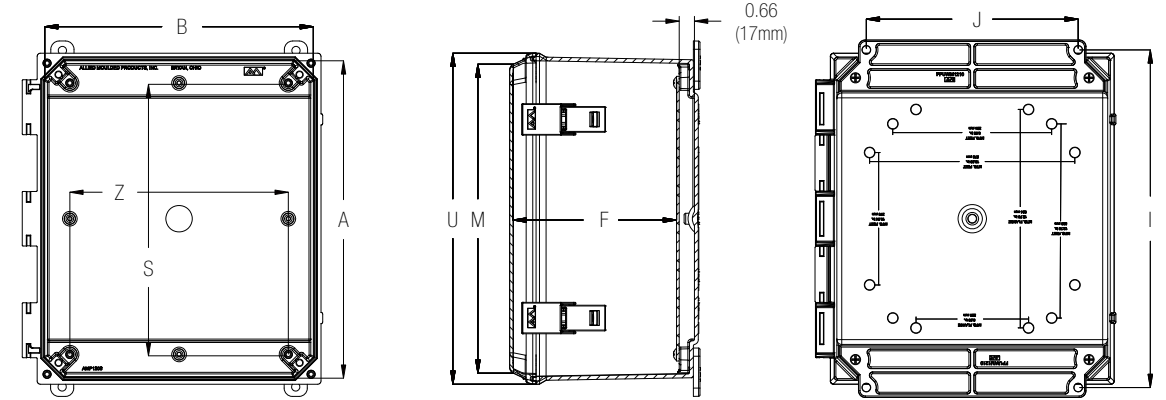
Part No.	Box Size			Usable Depth	Panel Boss Centers			Back Panel Size			Flange Mount Centers		Foot Mount Centers		Cover Size			
	A	B	C		F	S	Z	Ht.	Wid.	P/N	J	I	H	L	K	M	W	U
AMP664NL AMP664NLF	6.03 153mm	6.26 159mm	4.08 104mm	4.06 103mm	4.25 108mm	4.25 108mm	4.81 122mm	4.81 122mm	PL66 PLA66 PLPVC66	4.00 102mm	6.88, 6.75 175, 171mm	4.91 125mm	6.75 171mm	5.89 150mm	5.67 144mm	6.72 171mm	6.50 165mm	
AMP864NL AMP864NLF	7.94 202mm	6.16 156mm	4.08 104mm	4.06 103mm	6.25 159mm	4.25 108mm	6.75 171mm	4.88 124mm	PL86 PLA86 PLPVC86	4.00 102mm	8.88, 8.75 226, 222mm	4.91 125mm	8.75 222mm	5.89 150mm	7.67 195mm	6.72 171mm	8.50 216mm	
AMP884NL AMP884NLF	7.94 202mm	8.16 207mm	4.08 104mm	4.06 103mm	6.25 159mm	6.25 159mm	6.75 171mm	6.88 175mm	PL88 PLA88 PLPVC88	6.00 152mm	8.75 222mm	6.91 175mm	8.75 222mm	7.89 200mm	7.67 195mm	8.72 221mm	8.50 216mm	
AMP1084NL AMP1084NLF	9.93 252mm	8.15 207mm	4.08 104mm	4.06 103mm	8.25 210mm	6.25 159mm	8.75 222mm	6.88 175mm	PL108 PLA108 PLPVC108	6.00 152mm	10.75 273mm	6.91 175mm	10.75 273mm	7.89 200mm	9.67 246mm	8.72 221mm	10.50 267mm	
AMP1086NL AMP1086NLF	9.90 251mm	8.12 206mm	5.94 151mm	6.06 154mm	8.25 210mm	6.25 159mm	8.75 222mm	6.88 175mm	PL108 PLA108 PLPVC108	6.00 152mm	10.75 273mm	6.91 175mm	10.75 273mm	7.89 200mm	9.67 246mm	8.72 221mm	10.50 267mm	
AMP1204NL AMP1204NLF	11.93 303mm	10.15 258mm	4.08 104mm	4.16 106mm	10.25 260mm	8.25 210mm	10.75 273mm	8.88 225mm	PL120 PLA120 PLPVC120	8.00 203mm	12.75 324mm	8.82 224mm	12.70 323mm	9.89 251mm	11.67 296mm	10.72 272mm	12.50 318mm	
AMP1206NL AMP1206NLF	11.93 303mm	10.15 258mm	6.08 154mm	6.06 154mm	10.25 260mm	8.25 210mm	10.75 273mm	8.88 225mm	PL120 PLA120 PLPVC120	8.00 203mm	12.75 324mm	8.82 224mm	12.70 323mm	9.89 251mm	11.67 296mm	10.72 272mm	12.50 318mm	
AMP1426NL AMP1426NLF	13.85 352mm	12.07 307mm	6.13 156mm	5.99 152mm	12.25 311mm	10.25 260mm	12.75 324mm	10.88 276mm	PL142 PLA142 PLPVC142	10.01 254mm	14.75, 14.62 375, 371mm	10.82 275mm	14.70 373mm	11.89 302mm	13.67 347mm	12.72 323mm	14.50 368mm	
AMP1648NL AMP1648NLF	15.98 406mm	13.98 355mm	8.00 203mm	8.27 210mm	14.25 362mm	12.25 311mm	14.75 375mm	12.88 327mm	P164 PA164 PLPVC164	12.00 305mm	17.75 451mm	11.47 291mm	17.91 455mm	13.68 347mm	15.63 397mm	15.04 382mm	17.23 438mm	
AMP1860NL AMP1860NLF	18.04 458mm	16.04 407mm	10.00 254mm	10.27 261mm	16.22 412mm	14.25 362mm	16.88 429mm	14.88 378mm	P186 PA186 PLPVC186	12.00 305mm	19.63, 19.51 496, 496mm	13.72 349mm	19.91 506mm	15.68 398mm	17.68 454mm	17.10 434mm	19.28 490mm	

All dimensions are in inches unless otherwise noted
 "I" dimensions with multiple numbers indicate slotted holes
 Enclosure base part numbers come standard with 4 separately bagged feet (ex. AMP664NL)
 Add "F" to the part number for factory installed flanges (ex. AMP664NLF)
 Data subject to change without notice



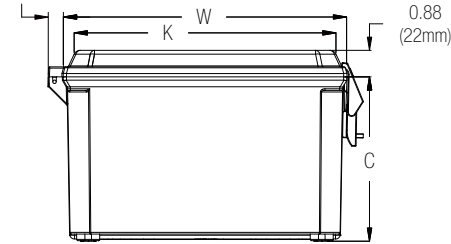
AMP Series - POLYLINE® JIC Size Junction Boxes:

Nonmetal Snap Latch Hinged Cover
- Clear Polycarbonate



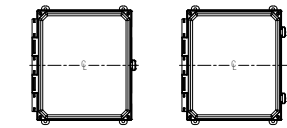
NOTE: COVER REMOVED FOR CLARITY

6 x 6 x 4 - 14 x 12 x 6 0.56 (14mm)
16 x 14 x 8 .36 (9mm)
18 x 16 x 10 .46 (12mm)



LATCH LOCATIONS

FOR USE ON	FOR USE ON
6 x 6 x 4	12 x 10 x 4(6) D=7.50 (191mm)
8 x 6 x 4	14 x 12 x 6 D=8.00 (203mm)
8 x 8 x 4	16 x 14 x 8 D=10.5 (267mm)
10 x 8 x 4(6)	18 x 16 x 10 D=12.5 (318mm)



*Nom. Wall Thickness: .14 (4mm);
sizes 14"through18" .19 (5mm)

PRODUCT INFORMATION

Application

- Designed to insulate and protect controls and components in both indoor and outdoor applications often found in industrial control panels, pump controls/waste water treatment, irrigation/water control, solar/wind, and chemical plants
- Light weight, impact resistant and good corrosion resistance for many industrial enclosure applications and a great alternative to metallic enclosures
- Protects from dirt, dust, and water

Standards

- UL 50 and UL 50E Types 1, 2, 3, 3R, 4, 4X, 12 and 13
- CSA C22.2 No. 94 Types 1, 2, 3, 3R, 4, 4X, 12 and 13
- Complies with:
 - NEMA Types 1, 2, 3, 3R, 4, 4X, 12 and 13
 - IEC 60529 Type IP66
- RoHS directive

Construction

- Injection molded polycarbonate thermoplastic - clear cover, enclosure base, snap latches feet and flanges
- Clear cover, base, padlockable snap latches, feet, and flanges - Light gray color (RAL 7035) Note: flanged models are pre-assembled, foot models' mounting hardware supplied in a bag
- Stainless steel, hinge pin and foot/flange mounting hardware
- Cover seal - Formed-In-Place (FIP) polyurethane gasket system
- #10-32 threaded brass inserts are installed for optional back panel mounting

Accessories

- Optional back panels (white painted steel and aluminum) and hinged front panels (aluminum)
- Optional mounting hardware based on model number - foot or flange mount
- Additional molded-in mounting bosses available for directly mounting DIN rails

Part No.	Box Size			Usable Depth	Panel Boss Centers			Back Panel Size		Flange Mount Centers		Foot Mount Centers		Cover Size			
	A	B	C		F	S	Z	Ht.	Wid.	P/N	J	I	H	L	K	M	W
AMP664CCNL	6.03	6.26	4.08	4.06	4.25	4.25	4.81	4.81	PL66	4.00	6.88, 6.75	4.91	6.75	5.89	5.67	6.72	6.50
AMP664CCNLF	153mm	159mm	104mm	103mm	108mm	108mm	122mm	122mm	PLA66 PLPVC66	102mm	175, 171mm	125mm	171mm	150mm	144mm	171mm	165mm
AMP864CCNL	7.94	6.16	4.08	4.06	6.25	4.25	6.75	4.88	PL86	4.00	8.88, 8.75	4.91	8.75	5.89	7.67	6.72	8.50
AMP864CCNLF	202mm	156mm	104mm	103mm	159mm	108mm	171mm	124mm	PLA86 PLPVC86	102mm	226, 222mm	125mm	222mm	150mm	195mm	171mm	216mm
AMP884CCNL	7.94	8.16	4.08	4.06	6.25	6.25	6.75	6.88	PL88	6.00	8.75	6.91	8.75	7.89	7.67	8.72	8.50
AMP884CCNLF	202mm	207mm	104mm	103mm	159mm	159mm	171mm	175mm	PLA88 PLPVC88	152mm	222mm	175mm	222mm	200mm	195mm	221mm	216mm
AMP1084CCNL	9.93	8.15	4.08	4.06	8.25	6.25	8.75	6.88	PL108	6.00	10.75	6.91	10.75	7.89	9.67	8.72	10.50
AMP1084CCNLF	252mm	207mm	104mm	103mm	210mm	159mm	222mm	175mm	PLA108 PLPVC108	152mm	273mm	175mm	273mm	200mm	246mm	221mm	267mm
AMP1086CCNL	9.90	8.12	5.94	6.06	8.25	6.25	8.75	6.88	PL108	6.00	10.75	6.91	10.75	7.89	9.67	8.72	10.50
AMP1086CCNLF	251mm	206mm	151mm	154mm	210mm	159mm	222mm	175mm	PLA108 PLPVC108	152mm	273mm	175mm	273mm	200mm	246mm	221mm	267mm
AMP1204CCNL	11.93	10.15	4.08	4.16	10.25	8.25	10.75	8.88	PL120	8.00	12.75	8.82	12.70	9.89	11.67	10.72	12.50
AMP1204CCNLF	303mm	258mm	104mm	106mm	260mm	210mm	273mm	225mm	PLA120 PLPVC120	203mm	324mm	224mm	323mm	251mm	296mm	272mm	318mm
AMP1206CCNL	11.93	10.15	6.08	6.06	10.25	8.25	10.75	8.88	PL120	8.00	12.75	8.82	12.70	9.89	11.67	10.72	12.50
AMP1206CCNLF	303mm	258mm	154mm	154mm	260mm	210mm	273mm	225mm	PLA120 PLPVC120	203mm	324mm	224mm	323mm	251mm	296mm	272mm	318mm
AMP1426CCNL	13.85	12.07	6.13	5.99	12.25	10.25	12.75	10.88	PL142	10.01	14.75, 14.62	10.82	14.70	11.89	13.67	12.72	14.50
AMP1426CCNLF	352mm	307mm	156mm	152mm	311mm	260mm	324mm	276mm	PLA142 PLPVC142	254mm	375, 371mm	275mm	373mm	302mm	347mm	323mm	368mm
AMP1648CCNL	15.98	13.98	8.00	8.27	14.25	12.25	14.75	12.88	P164	12.00	17.75	11.47	17.91	13.68	15.63	15.04	17.23
AMP1648CCNLF	406mm	355mm	203mm	210mm	362mm	311mm	375mm	327mm	PA164 PLPVC164	305mm	451mm	291mm	455mm	347mm	397mm	382mm	438mm
AMP1860CCNL	18.04	16.04	10.00	10.27	16.22	14.25	16.88	14.88	P186	12.00	19.63, 19.51	13.72	19.91	15.68	17.68	17.10	19.28
AMP1860CCNLF	458mm	407mm	254mm	261mm	412mm	362mm	429mm	378mm	PA186 PLPVC186	305mm	499, 496mm	349mm	506mm	398mm	454mm	434mm	490mm

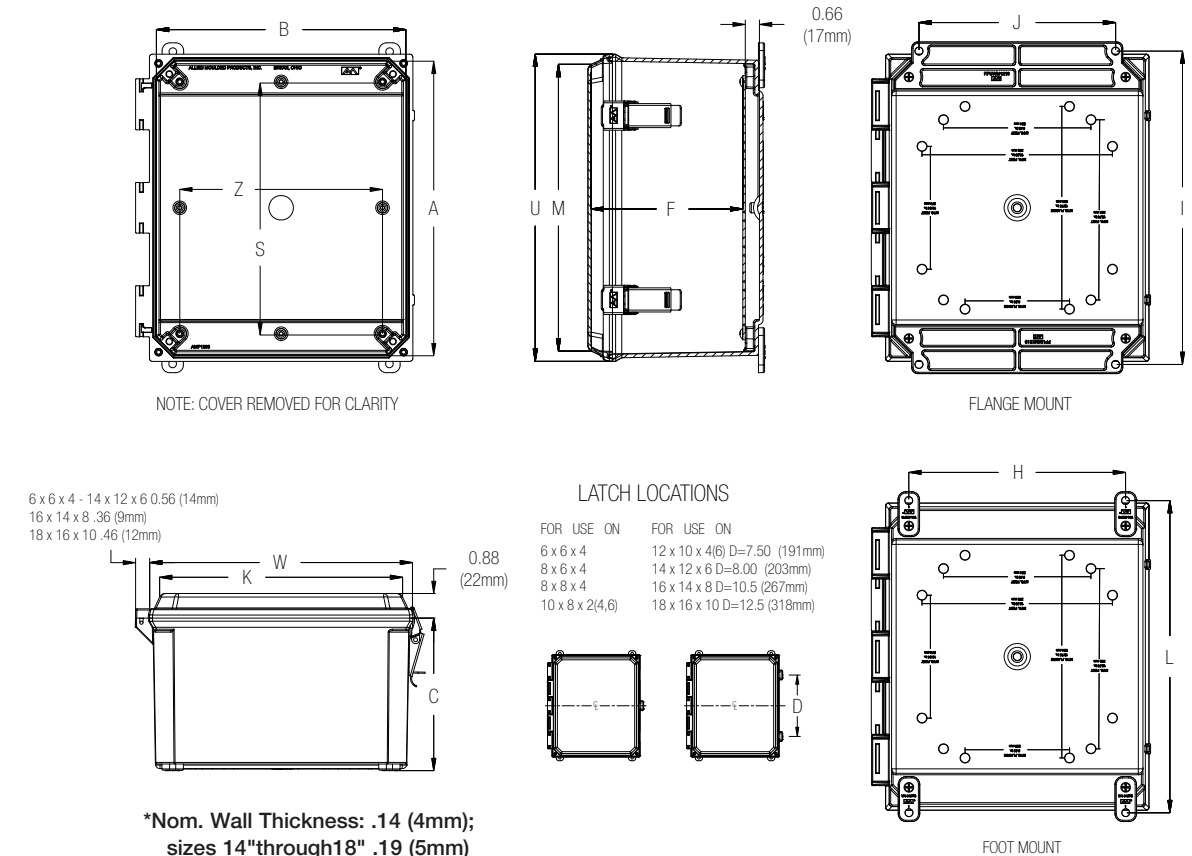
All dimensions are in inches unless otherwise noted
 "I" dimensions with multiple numbers indicate slotted holes
 Enclosure base part numbers come standard with 4 separately bagged feet (ex. AMP664CCNL)
 Add "F" to the part number for factory installed flanges (ex. AMP664CCNLF)

Data subject to change without notice



AMP Series - POLYLINE® JIC Size Junction Boxes:

Metal Snap Latch Hinged Cover
– Solid/Opaque



PRODUCT INFORMATION

Application

- Designed to insulate and protect controls and components in both indoor and outdoor applications often found in industrial control panels, pump controls/waste water treatment, irrigation/water control, solar/wind, and chemical plants
- Light weight, impact resistant and good corrosion resistance for many industrial enclosure applications and a great alternative to metallic enclosures
- Protects from dirt, dust, and water

Standards

- UL 50 and UL 50E Types 1, 2, 3, 3R, 4, 4X, 12 and 13
- CSA C22.2 No. 94 Types 1, 2, 3, 3R, 4, 4X, 12 and 13
- Complies with:
 - NEMA Types 1, 2, 3, 3R, 4, 4X, 12 and 13
 - IEC 60529 Type IP66
- RoHS directive

Construction

- Injection molded polycarbonate thermoplastic – opaque cover, enclosure base, feet and flanges
- Opaque cover, base, feet, and flanges – Light gray color (RAL 7035)
Note: flanged models are pre-assembled, foot models mounting hardware supplied in a bag
- Stainless steel padlockable snap latches, hinge pin and foot/flange mounting hardware
- Cover seal – Formed-In-Place (FIP) polyurethane gasket system
- #10-32 threaded brass inserts are installed for optional back panel mounting

Accessories

- Optional back panels (white painted steel and aluminum) and hinged front panels (aluminum)
- Optional mounting hardware based on model number – foot or flange mount
- Additional molded-in mounting bosses available for directly mounting DIN rails

Part No.	Box Size			Usable Depth	Panel Boss Centers			Back Panel Size			Flange Mount Centers		Foot Mount Centers		Cover Size			
	A	B	C		F	S	Z	Ht.	Wid.	P/N	J	I	H	L	K	M	W	U
AMP664L AMP664LF	6.03	6.26	4.08	4.06	4.25	4.25	4.81	4.81	PL66 PLA66 PLPVC66	4.00	6.88, 6.75	4.91	6.75	5.89	5.67	6.72	6.50	
	153mm	159mm	104mm	103mm	108mm	108mm	122mm	122mm		102mm	175, 171mm	125mm	171mm	150mm	144mm	171mm	165mm	
AMP864L AMP864LF	7.94	6.16	4.08	4.06	6.25	4.25	6.75	4.88	PL86 PLA86 PLPVC86	4.00	8.88, 8.75	4.91	8.75	5.89	7.67	6.72	8.50	
	202mm	156mm	104mm	103mm	159mm	108mm	171mm	124mm		102mm	226, 222mm	125mm	222mm	150mm	195mm	171mm	216mm	
AMP884L AMP884LF	7.94	8.16	4.08	4.06	6.25	6.25	6.75	6.88	PL88 PLA88 PLPVC88	6.00	8.75	6.91	8.75	7.89	7.67	8.72	8.50	
	202mm	207mm	104mm	103mm	159mm	159mm	171mm	175mm		152mm	222mm	175mm	222mm	200mm	195mm	221mm	216mm	
AMP1082L AMP1082LF	9.93	8.15	2.70	2.68	8.25	6.25	8.75	6.88	PL108 PLA108 PLPVC108	6.00	10.75	6.91	10.75	7.89	9.67	8.72	10.50	
	252mm	207mm	69mm	68mm	210mm	159mm	222mm	175mm		152mm	273mm	175mm	273mm	200mm	246mm	221mm	267mm	
AMP1084L AMP1084LF	9.93	8.15	4.08	4.06	8.25	6.25	8.75	6.88	PL108 PLA108 PLPVC108	6.00	10.75	6.91	10.75	7.89	9.67	8.72	10.50	
	252mm	207mm	104mm	103mm	210mm	159mm	222mm	175mm		152mm	273mm	175mm	273mm	200mm	246mm	221mm	267mm	
AMP1086L AMP1086LF	9.90	8.12	5.94	6.06	8.25	6.25	8.75	6.88	PL108 PLA108 PLPVC108	6.00	10.75	6.91	10.75	7.89	9.67	8.72	10.50	
	251mm	206mm	151mm	154mm	210mm	159mm	222mm	175mm		152mm	273mm	175mm	273mm	200mm	246mm	221mm	267mm	
AMP1204L AMP1204LF	11.93	10.15	4.08	4.16	10.25	8.25	10.75	8.88	PL120 PLA120 PLPVC120	8.00	12.75	8.82	12.70	9.89	11.67	10.72	12.50	
	303mm	258mm	104mm	106mm	260mm	210mm	273mm	225mm		203mm	324mm	224mm	323mm	251mm	296mm	272mm	318mm	
AMP1206L AMP1206LF	11.93	10.15	6.08	6.06	10.25	8.25	10.75	8.88	PL120 PLA120 PLPVC120	8.00	12.75	8.82	12.70	9.89	11.67	10.72	12.50	
	303mm	258mm	154mm	154mm	260mm	210mm	273mm	225mm		203mm	324mm	224mm	323mm	251mm	296mm	272mm	318mm	
AMP1426L AMP1426LF	13.85	12.07	6.13	5.99	12.25	10.25	12.75	10.88	PL142 PLA142 PLPVC142	10.01	14.75, 14.62	10.82	14.70	11.89	13.67	12.72	14.50	
	352mm	307mm	156mm	152mm	311mm	260mm	324mm	276mm		254mm	375, 371mm	275mm	373mm	302mm	347mm	323mm	368mm	
AMP1648L AMP1648LF	15.98	13.98	8.00	8.27	14.25	12.25	14.75	12.88	P164 PA164 PLPVC164	12.00	17.75	11.47	17.91	13.68	15.63	15.04	17.23	
	406mm	355mm	203mm	210mm	362mm	311mm	375mm	327mm		305mm	451mm	291mm	455mm	347mm	397mm	382mm	438mm	
AMP1860L AMP1860LF	18.04	16.04	10.00	10.27	16.22	14.25	16.88	14.88	P186 PA186 PLPVC186	12.00	19.63, 19.51	13.72	19.91	15.68	17.68	17.10	19.28	
	458mm	407mm	254mm	261mm	412mm	362mm	429mm	378mm		305mm	499, 496mm	349mm	506mm	398mm	454mm	434mm	490mm	

All dimensions are in inches unless otherwise noted Data subject to change without notice

"I" dimensions with multiple numbers indicate slotted holes

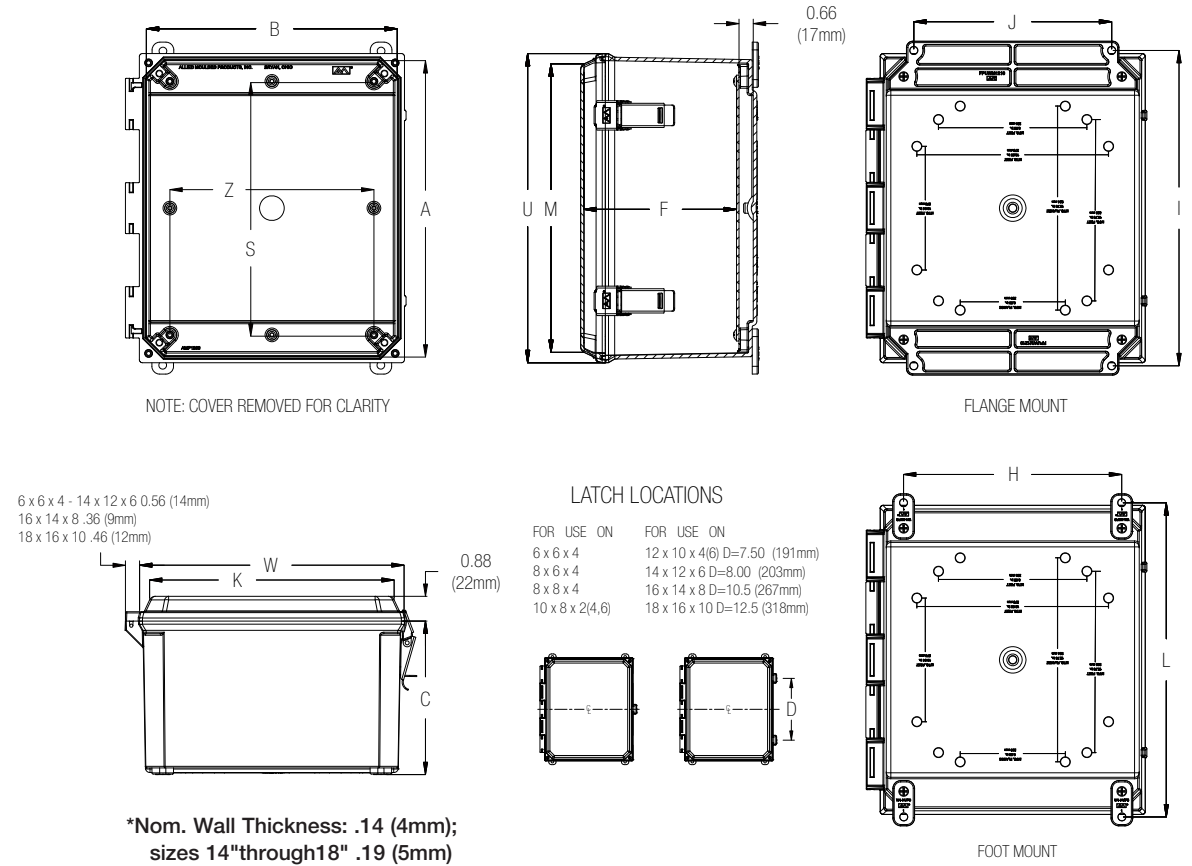
Enclosure base part numbers come standard with 4 separately bagged feet (ex. AMP664L)

Add "F" to the part number for factory installed flanges (ex. AMP664LF)



AMP Series - POLYLINE® JIC Size Junction Boxes:

Metal Snap Latch Hinged Cover
– Clear Polycarbonate



PRODUCT INFORMATION

Application

- Designed to insulate and protect controls and components in both indoor and outdoor applications often found in industrial control panels, pump controls/waste water treatment, irrigation/water control, solar/wind, and chemical plants
- Light weight, impact resistant and good corrosion resistance for many industrial enclosure applications and a great alternative to metallic enclosures
- Protects from dirt, dust, and water

Standards

- UL 50 and UL 50E Types 1, 2, 3, 3R, 4, 4X, 12 and 13
- CSA C22.2 No. 94 Types 1, 2, 3, 3R, 4, 4X, 12 and 13
- Complies with:
 - NEMA Types 1, 2, 3, 3R, 4, 4X, 12 and 13
 - IEC 60529 Type IP66
- RoHS directive

Construction

- Injection molded polycarbonate thermoplastic – clear cover, enclosure base, feet and flanges
- Enclosure base, feet, and flanges – Light gray color (RAL 7035)
Note: flanged models are pre-assembled, foot models mounting hardware supplied in a bag
- Stainless steel padlockable snap latches, hinge pin and foot/flange mounting hardware
- Cover seal – Formed-In-Place (FIP) polyurethane gasket system
- #10-32 threaded brass inserts are installed for optional back panel mounting

Accessories

- Optional back panels (white painted steel and aluminum) and hinged front panels (aluminum)
- Optional mounting hardware based on model number – foot or flange mount
- Additional molded-in mounting bosses available for directly mounting DIN rails

Part No.	Box Size			Usable Depth	Panel Boss Centers			Back Panel Size			Flange Mount Centers		Foot Mount Centers		Cover Size			
	A	B	C		F	S	Z	Ht.	Wid.	P/N	J	I	H	L	K	M	W	U
AMP664CCL AMP664CCLF	6.03	6.26	4.08	4.06	4.25	4.25	4.81	4.81	PL66 PLA66 PLPVC66	4.00	6.88, 6.75	4.91	6.75	5.89	5.67	6.72	6.50	
	153mm	159mm	104mm	103mm	108mm	108mm	122mm	122mm		102mm	175, 171mm	125mm	171mm	150mm	144mm	171mm	165mm	
AMP864CCLH AMP864CCLF	7.94	6.16	4.08	4.06	6.25	4.25	6.75	4.88	PL86 PLA86 PLPVC86	4.00	8.88, 8.75	4.91	8.75	5.89	7.67	6.72	8.50	
	202mm	156mm	104mm	103mm	159mm	108mm	171mm	124mm		102mm	226, 222mm	125mm	222mm	150mm	195mm	171mm	216mm	
AMP884CCL AMP884CCLF	7.94	8.16	4.08	4.06	6.25	6.25	6.75	6.88	PL88 PLA88 PLPVC88	6.00	8.75	6.91	8.75	7.89	7.67	8.72	8.50	
	202mm	207mm	104mm	103mm	159mm	159mm	171mm	175mm		152mm	222mm	175mm	222mm	200mm	195mm	221mm	216mm	
AMP1082CCL AMP1082CCLF	9.93	8.15	2.70	2.68	8.25	6.25	8.75	6.88	PL108 PLA108 PLPVC108	6.00	10.75	6.91	10.75	7.89	9.67	8.72	10.50	
	252mm	207mm	69mm	68mm	210mm	159mm	222mm	175mm		152mm	273mm	175mm	273mm	200mm	246mm	221mm	267mm	
AMP1084CCL AMP1084CCLF	9.93	8.15	4.08	4.06	8.25	6.25	8.75	6.88	PL108 PLA108 PLPVC108	6.00	10.75	6.91	10.75	7.89	9.67	8.72	10.50	
	252mm	207mm	104mm	103mm	210mm	159mm	222mm	175mm		152mm	273mm	175mm	273mm	200mm	246mm	221mm	267mm	
AMP1086CCL AMP1086CCLF	9.90	8.12	5.94	6.06	8.25	6.25	8.75	6.88	PL108 PLA108 PLPVC108	6.00	10.75	6.91	10.75	7.89	9.67	8.72	10.50	
	251mm	206mm	151mm	154mm	210mm	159mm	222mm	175mm		152mm	273mm	175mm	273mm	200mm	246mm	221mm	267mm	
AMP1204CCL AMP1204CCLF	11.93	10.15	4.08	4.16	10.25	8.25	10.75	8.88	PL120 PLA120 PLPVC120	8.00	12.75	8.82	12.70	9.89	11.67	10.72	12.50	
	303mm	258mm	104mm	106mm	260mm	210mm	273mm	225mm		203mm	324mm	224mm	323mm	251mm	296mm	272mm	318mm	
AMP1206CCL AMP1206CCLF	11.93	10.15	6.08	6.06	10.25	8.25	10.75	8.88	PL120 PLA120 PLPVC120	8.00	12.75	8.82	12.70	9.89	11.67	10.72	12.50	
	303mm	258mm	154mm	154mm	260mm	210mm	273mm	225mm		203mm	324mm	224mm	323mm	251mm	296mm	272mm	318mm	
AMP1426CCL AMP1426CCLF	13.85	12.07	6.13	5.99	12.25	10.25	12.75	10.88	PL142 PLA142 PLPVC142	10.01	14.75, 14.62	10.82	14.70	11.89	13.67	12.72	14.50	
	352mm	307mm	156mm	152mm	311mm	260mm	324mm	276mm		254mm	375, 371mm	275mm	373mm	302mm	347mm	323mm	368mm	
AMP1648CCL AMP1648CCLF	15.98	13.98	8.00	8.27	14.25	12.25	14.75	12.88	P164 PA164 PLPVC164	12.00	17.75	11.47	17.91	13.68	15.63	15.04	17.23	
	406mm	355mm	203mm	210mm	362mm	311mm	375mm	327mm		305mm	451mm	291mm	455mm	347mm	397mm	382mm	438mm	
AMP1860CCL AMP1860CCLF	18.04	16.04	10.00	10.27	16.22	14.25	16.88	14.88	P186 PA186 PLPVC186	12.00	19.63, 19.51	13.72	19.91	15.68	17.68	17.10	19.28	
	458mm	407mm	254mm	261mm	412mm	362mm	429mm	378mm		305mm	499, 496mm	349mm	506mm	398mm	454mm	434mm	490mm	

All dimensions are in inches unless otherwise noted

"I" dimensions with multiple numbers indicate slotted holes

Enclosure base part numbers come standard with 4 separately bagged feet (ex. AMP664CCL)

Add "F" to the part number for factory installed flanges (ex. AMP664CCLF)

Data subject to change without notice

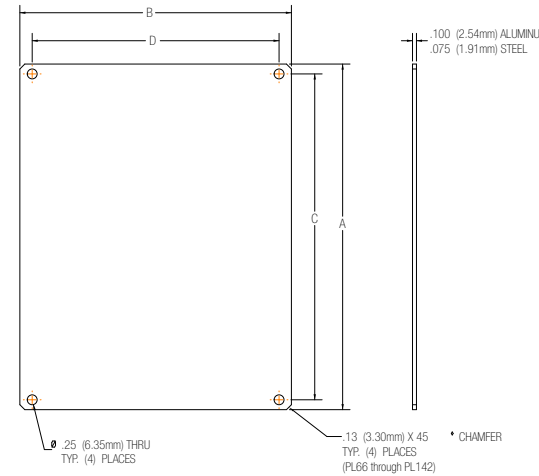


POLYLINE® Series Optional Back Panels:

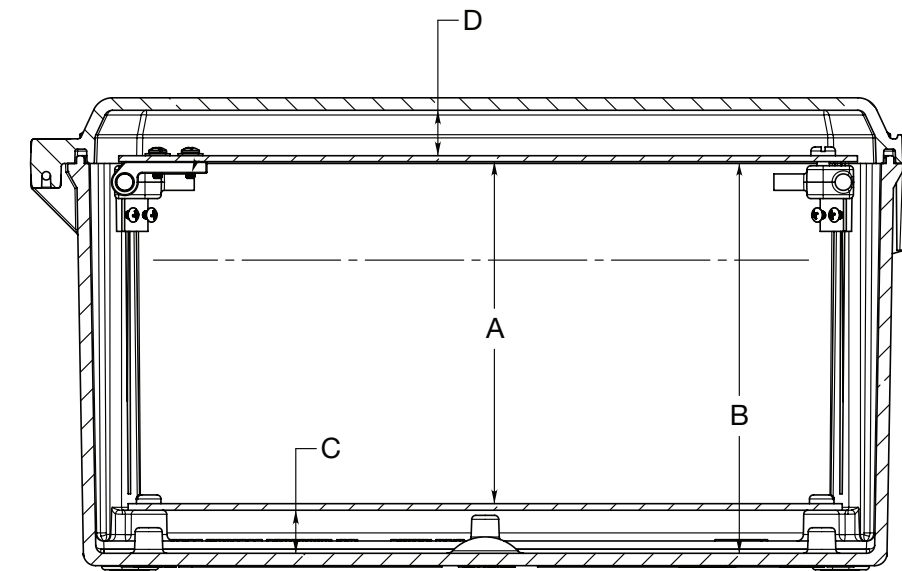
“PL” Painted White Carbon Steel
or “PLA” Aluminum

STEEL (P/N)	ALUM (P/N)	PVC (P/N)	A	B	C	D
PL66	PLA66	PLPVC66	4.81	4.81	4.25	4.25
			122mm	122mm	108mm	108mm
PL86	PLA86	PLPVC86	6.75	4.88	6.25	4.25
			171mm	124mm	159mm	108mm
PL88	PLA88	PLPVC88	6.75	6.88	6.25	6.25
			171mm	175mm	159mm	159mm
PL108	PLA108	PLPVC108	8.75	6.88	8.25	6.25
			222mm	175mm	210mm	159mm
PL120	PLA120	PLPVC120	10.75	8.88	10.25	8.25
			273mm	226mm	260mm	210mm
PL142	PLA142	PLPVC142	12.75	10.88	12.25	10.25
			324mm	276mm	311mm	260mm
P164	PA164	PLPVC164	14.75	12.88	14.25	12.25
			375mm	327mm	362mm	311mm
P186	PA186	PLPVC186	16.88	14.88	16.25	14.25
			429mm	378mm	413mm	362mm

All dimensions are in inches unless otherwise noted.



POLYLINE® Series Adjustable Hinged Front Panels Installed:

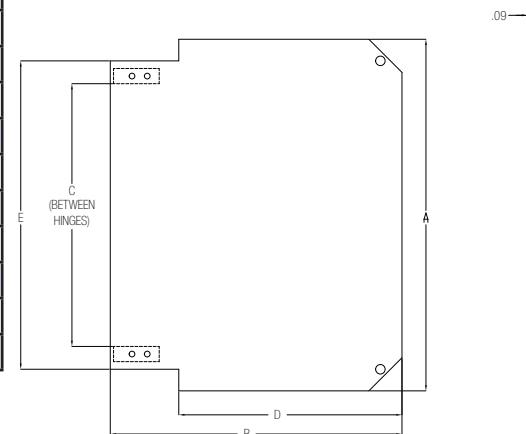
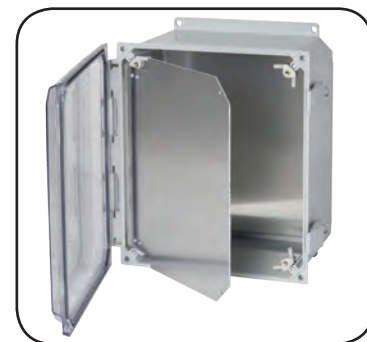


POLYLINE® Series Optional Adjustable Hinged Front Panels:

“HFPP” Aluminum Panel Systems

HFPP Kit (P/N)	Enc. Base (P/N)	A	B	C	D	E
HFPP66	AMP664	5.44	5.61	2.64	3.36	4.19
		138mm	142mm	67mm	85mm	106mm
HFPP86	AMP864	7.44	5.61	4.67	3.36	6.19
		189mm	142mm	119mm	85mm	157mm
HFPP88	AMP884	7.44	7.63	4.64	5.38	6.19
		189mm	194mm	118mm	137mm	157mm
HFPP108	AMP1084 AMP1086	9.43	7.63	6.63	5.38	8.18
		239mm	194mm	168mm	137mm	208mm
HFPP120	AMP1204 AMP1206	11.55	9.58	8.63	7.33	10.13
		293mm	243mm	219mm	186mm	257mm
HFPP142	AMP1426	13.10	11.25	10.61	9.00	11.75
		333mm	286mm	269mm	229mm	298mm
HFPP164	AMP1648	14.75	12.88	12.23	12.13	13.44
		375mm	327mm	245mm	289mm	339mm
HFPP186	AMP1860	16.88	14.88	14.19	14.13	15.44
		429mm	378mm	295mm	340mm	393mm

All dimensions are in inches unless otherwise noted.



HFPP Kit (P/N)	Enclosure Used With	Optional Aluminum Back Panel	Optional Aluminum Back Panel	Optional Steel Back Panel	Optional Steel Back Panel	Without Optional Back Panel	Optional Steel Back Panel	C=BOTTOM to Panel Mount Bosses	D=Hinged Front Panel to Inside Cover	D=Hinged Front Panel to Inside Cover
	(base P/N)	A (MAX.)	A (MIN.)	A (MAX.)	A (MIN.)	B (MAX.)	B (MIN.)		(MIN.)	(MAX.)
HFPP66	AMP664	3.21	1.71	3.24	1.74	3.96	2.47	.66	.76	2.26
		82mm	43mm	82mm	44mm	101mm	63mm	17mm	19mm	57mm
HFPP86	AMP864	3.22	1.72	3.25	1.75	3.96	2.46	.66	.76	2.26
		82mm	44mm	83mm	44mm	101mm	62mm	17mm	19mm	57mm
HFPP88	AMP884	3.21	1.71	3.24	1.74	3.96	2.46	.66	.76	2.26
		82mm	43mm	82mm	44mm	101mm	62mm	17mm	19mm	57mm
HFPP108 HFPP120	AMP1084 AMP1204	3.21	1.71	3.24	1.74	3.96	2.46	.66	.76	2.26
		82mm	43mm	82mm	44mm	101mm	62mm	17mm	19mm	57mm
HFPP120	AMP1086 AMP1206	5.21	3.71	5.24	3.74	5.96	4.47	.66	.76	2.38
		132mm	94mm	133mm	95mm	151mm	114mm	17mm	19mm	60mm
HFPP142	AMP1426	5.21	3.71	5.24	3.74	5.96	4.47	.66	.76	2.19
		132mm	94mm	133mm	95mm	151mm	114mm	17mm	19mm	56mm
HFPP164	AMP1648	6.95	1.25	6.98	1.28	7.72	2.02	.66	1.19	6.89
		177mm	32mm	177mm	33mm	196mm	51mm	17mm	30mm	175mm
HFPP186	AMP1860	8.95	1.25	8.98	1.28	9.72	2.02	.66	1.19	8.89
		227mm	32mm	228mm	33mm	247mm	51mm	17mm	30mm	226mm

All dimensions are in inches unless otherwise noted.

POLYLINE®

Allied Moulded Products, Inc. manufactures a complete line of corrosion and UV resistant NEMA Type 4X nonmetallic enclosures for indoor or outdoor industrial applications. Allied Moulded enclosures are manufactured of engineering grades of thermoset and thermoplastics and offer all the advantages of nonmetallic materials including: UL® (listed), RoHS compliance, increased strength, reduced weight, corrosion resistance, non-conductivity, UV resistance and ease of installation.

Allied Moulded Brand Names: **ULTRALINE®**, **ULTRAGUARD®**, **POLYLINE®**

Enclosure Families and Size Ranges (inches):

Small Junction Boxes: 7x4x3 through 9x4x3

JIC Series: 6x6x4 through 20x16x10

Control Series: 24x20x8 through 30x24x10

Empire Series: 36x30x12 through 72x49x25



Optional Accessories

- Hole Plugs
- HMI Cover Kits
- Inspection Windows
- Pole Mount Kits
- Back Panels
- Hinged Front Panels
- Keylock Kits
- NEMA 4X Vent Kit
- Print Pockets
- Exhaust Filter Kit
- Mounting Brackets & Latch Kits



**ALLIED
MOULDED
PRODUCTS, Inc.**

222 North Union St.
Bryan, OH 43506

Phone: (800) 722-2679
Fax: (800) 237-7269

www.alliedmoulded.com

Available Through: